

Mahindra
Rise.

Truck and Bus Division



TRUXO₂₅

The new Mahindra TRUXO 25 gives you more than expected on every count. It carries more load; 16 ton clear passing. It gives you more mileage; in fact the best in its class. And it has several other features to bring in more profits than you can expect.

- Powerful, fuel-efficient and reliable m-POWER engine • Spacious, ergonomic 4 point suspended comfortable cabin
- Stronger chassis, suspension and driveline • Best-in-class cabin comfort prevents fatigue • High oil change interval
- Variants to suit different businesses: Market Load, Stones, Tanker etc.

TECHNICAL SPECIFICATIONS

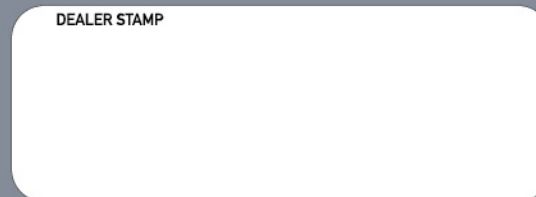
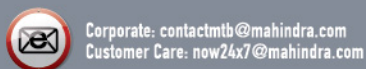
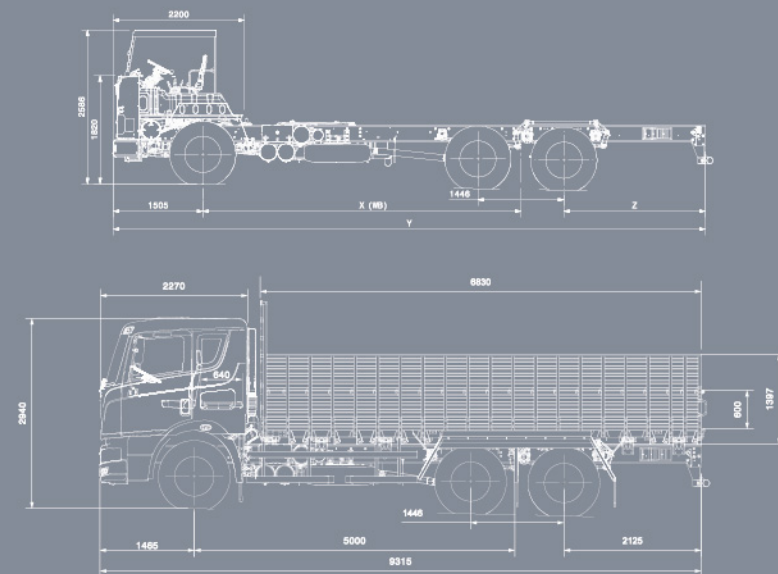
Model	TRUXO 25 170
GVW	25000 kg
Engine	m-POWER 7.2 ltr., TCIC BSIII
Transmission	6 Forward Synchronesh, 1 Reverse
Max. Power	123 kW (170 HP) @ 2200 RPM
Max. Torque	820 Nm @ 1050 RPM
Max. Geared Speed	88 kmph
Gradeability	22%
Chassis Frame	Ladder Type, Uniform C - Section
Steering	Tilt & Telescopic Power Steering
Brakes	Full Air S-Cam, 10 Bar System
Fuel Tank	350 ltr. (Optional 417, 250 ltr.)
Wheels & Tyres	10x20-16PR Radial
System Voltage	24 V (2 x 12 V)

Variants	TRUXO 25 170 (with Cabin)	TRUXO 25 170 Cowl
Wheelbase/Load Body Length Inside	5000 mm/6705 mm (22 ft) 5350 mm/7315 mm (24 ft) 6100 mm/8534 mm (28 ft) - LWB 6600 mm/9449 mm (31 ft) - LWB	5000 mm/7010 mm (23 ft) 5350 mm/7620 mm (25 ft) 6100 mm/8839 mm (29 ft) - LWB 6600 mm/9753 mm (32 ft) - LWB
Load Body Options	High Side, Fixed Side, Cabin & Chassis	Cowl
Cabin	Single Sleeper, Double Sleeper	-
Cabin Tilting	Manually Operated Hydraulic Assisted	-
Vehicle Tracking System	Optional	-
Air Conditioning	Optional	-
ABS	Optional	-

Note: In view of our policy of continuously improving our products, we reserve the right to alter specifications or designs without any liability. Illustrations and photographs do not necessarily show the vehicle in its standard form. E & OE.

DIMENSIONS OF OUTPERFORMANCE - TRUXO 25 & COWL

WHEELBASE	5000 (mm)	5350 (mm)	6100 (mm)	6600 (mm)
LOAD BODY (ft)	7010 mm (23 ft)	7620 mm (25 ft)	8839 mm (29 ft)	9753 mm (32 ft)
LENGTH (X)	5000	5350	6100	6600
LENGTH (Y)	9355	9955	11205	11995
LENGTH (Z)	2125	2377	2877	3167



Mahindra & Mahindra Ltd.,
Truck and Bus Division

*Warranty applicable for HCV Range of trucks - 5 years warranty on engine, cabin (metal sheet and frame only) & chassis frame. 4 years warranty on driveline. 3 years comprehensive warranty.
**Transferable Warranty applicable only on first resale. Conditions apply. Conditions applicable on AMC.